

**REQUEST FOR PROPOSALS**  
**FOR SIGNAGE DESIGN, FABRICATION AND INSTALLATION**  
**OF VARIOUS VINYL AND ALUMINUM SIGNAGE**



The Village of Bridgeview is requesting proposals for the award for design-fabrication and installation of various vinyl and aluminum signage in and around the stadium. The Village shall approve the award of this contract based on the evaluation criteria in this RFP along with the help of the Evaluation Committee. Responses to this RFP will be used during the evaluation process to select and negotiate with a qualified firm to deliver the described product(s).

This RFP does not commit the Village to enter into a contract, nor make a selection of a vendor. The Village reserves the right at its sole discretion to make a selection, to reject any or all submissions, issue subsequent RFP, and to enter into a contract for all or some of the services/products described in this RFP.

**Proposals must be received by:**

**December 21, 2018 at 3:00pm**

**The Village of Bridgeview  
c/o General Signage RFP  
7500 South Oketo Avenue  
Bridgeview, IL 60455**

<p><b>Mandatory Pre-Bid Meeting and Site Visit-Walk Through December 4th, 2018 at 1:30pm at SeatGeek Stadium (71<sup>th</sup> and Harlem)</b></p>
---

**Proposals received after the time and date established will not be considered.**

The proposals will NOT be opened publicly but opened by the Evaluation Committee and reviewed prior to a possible selection.

**BASE PROPOSAL SUBMISSION FORM**

I, the undersigned, submit the following proposal to the Village of Bridgeview as further described in this Request for Proposals.

Proposer's Signature\*: \_\_\_\_\_

Proposer's Printed Name: \_\_\_\_\_

Company Name: \_\_\_\_\_

Address: \_\_\_\_\_

Phone: \_\_\_\_\_

E-mail Address: \_\_\_\_\_

Illinois Business Authorization Number: \_\_\_\_\_

Federal Tax ID Number (EIN): \_\_\_\_\_

Proposed Price based on RFP Criteria and Specs: \_\_\_\_\_

Conditions to Pricing, if any: \_\_\_\_\_

Warranty, if different than proposed: \_\_\_\_\_

If vendor offers/proposes a different product or system please provide specifications, warranty information, recent installations and pricing difference. Village at its sole discretion may accept or reject proposed changes.

\*Signature on this proposal certifies that the proposal is made without collusion with any person, firm, or corporation making a proposal for the same goods and/or services and is in all respects fair and without collusion or fraud. Signature on a proposal also certifies that the proposer has read and fully understands all proposal specifications, terms, and conditions.

## **SUGGESTED SUMMITAL INFORMATION**

### **Proposal Format:**

Proposals must be typewritten and must be attached to the Base Submissions Form provided.

### **Proposed Signage Systems and Installation Information:**

- Proposed pricing
  - All work must be done at Prevailing Wage or by a Union registered company
  - Certified Payroll documents will be required
- Product specifications as outlined or determined between the parties
- Warranty and service information
- Nearest installation of recent similar vinyl and aluminum signage projects

### **Proposed Project Schedule and Timeline:**

- Guaranteed schedule and completion date to be determined between the parties, but under no conditions final installation will be later than March 8, 2019

### **Proof of Insurance:**

- Additional Insurance maybe requested/required based on coverage levels provided

### **Corporate Information:**

- Years in business
- Annual sales
- Active litigation with public entities

### **List of References:**

Provide three (3) references of the public or private entities having done work for previously in terms of the size and type of project outlined above. Information should include name of contact, contact phone number and date of service for reference.

## EVALUATION CRITERIA

The Evaluation Committee shall evaluate submitted proposals on the following criteria:

### **Pricing:**

- Final pricing
- Design, fabrication and installation schedule
- Conditions to pricing, if any

### **Time of Delivery:**

- The selected firm must be able to complete the project by an established date between the parties, but no later than March 8, 2019.

**Liquated damages will be included in the contract between the Village and selected Firm.**

### **Project Schedule/Plan, to be developed with Village and Sponsor:**

- Contractor is responsible to comply with any/all required permits required by local authorities and ordinances.
- Detailed sequence/schedule of work, with starting and ending dates for each activity.
- Remove and transport debris in a manner that will prevent spillage on adjacent surfaces and areas.
- Clean adjacent areas of dust, dirt and debris caused by installation. Return adjacent areas to condition reasonably acceptable to the Village.

### **Firm and Project History:**

- Selected firm's previous project history and recently completed similar signage jobs

### **References:**

- As provided by the submitter

### **Conformance to Proposal Requirements:**

Proposals must conform to the requirements of the RFP.

## PROJECT OVERVIEW AND SCOPE

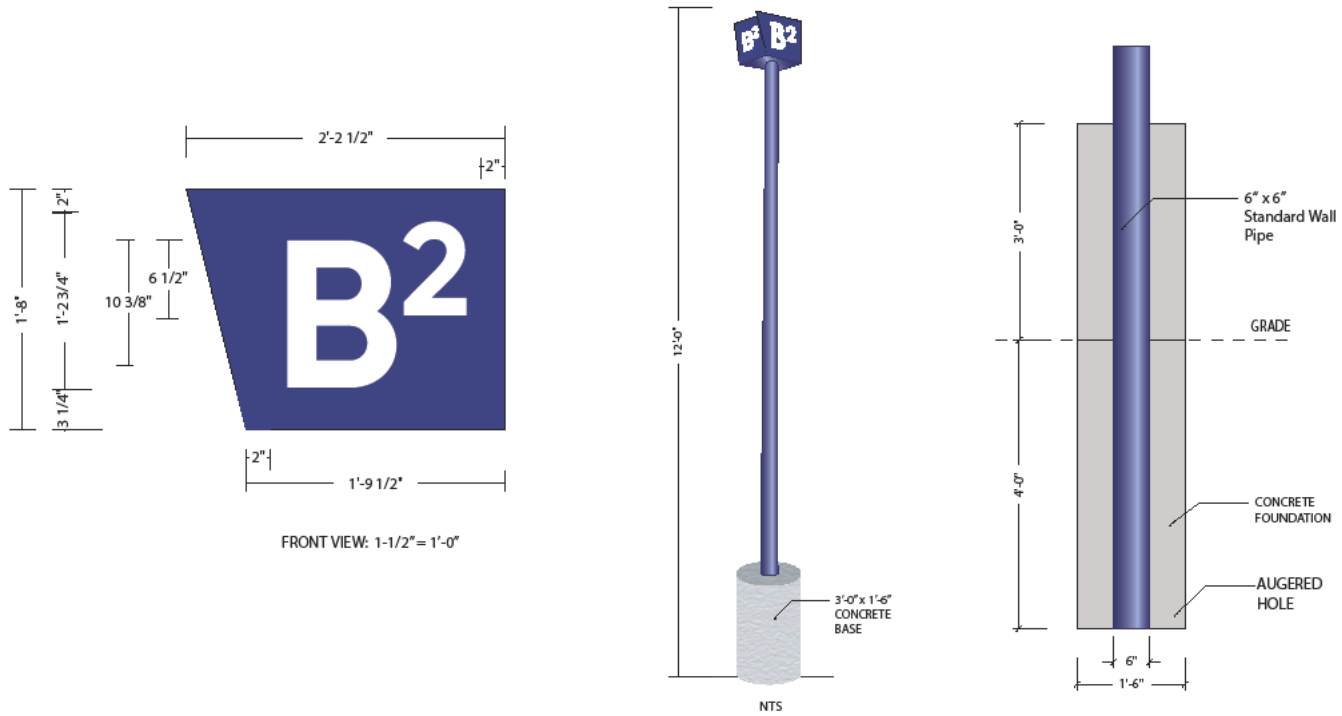
The Village is seeking a turnkey sign fabrication and installation company to completely change over current signage at the stadium as part of transition from Toyota Park to SeatGeek Stadium. The selected firm, with the input of the Village and SeatGeek, will:

- Prepare sign plans, specifications, and artwork suitable for sign fabrication that includes material, colors, font, size, etc. that adhere to the attached sign guidelines;
- Remove and replace the existing signs, fabricate and install the new signs as illustrated and specified in this document;
- When an existing sign is being replaced and for all new signs, the selected firm agrees to supply and use only new, high quality brackets and mounting hardware. The selected firm agrees to furnish all their own tools and the labor necessary to complete the project.
- Will only use the sign material, size, colors, fonts, etc. as provided for in the attached and approved by the Village and SeatGeek.
- The selected company will provide a one-year minimum parts and labor warranty on the sign fabrication and installation. During the first year after their installation, the selected company agrees to repair or replace any faded, damaged or crooked signs that are caused by poor fabrication methods or installation techniques at no cost to the Village.






If your company chooses to provide a warranty that exceeds the one-year minimum please provide details regarding warranty and how potential claims would be addressed.

# SIGNAGE OVERVIEW AND INITIAL SPECIFICATIONS

(An alternative color maybe be used-different shade of blue)

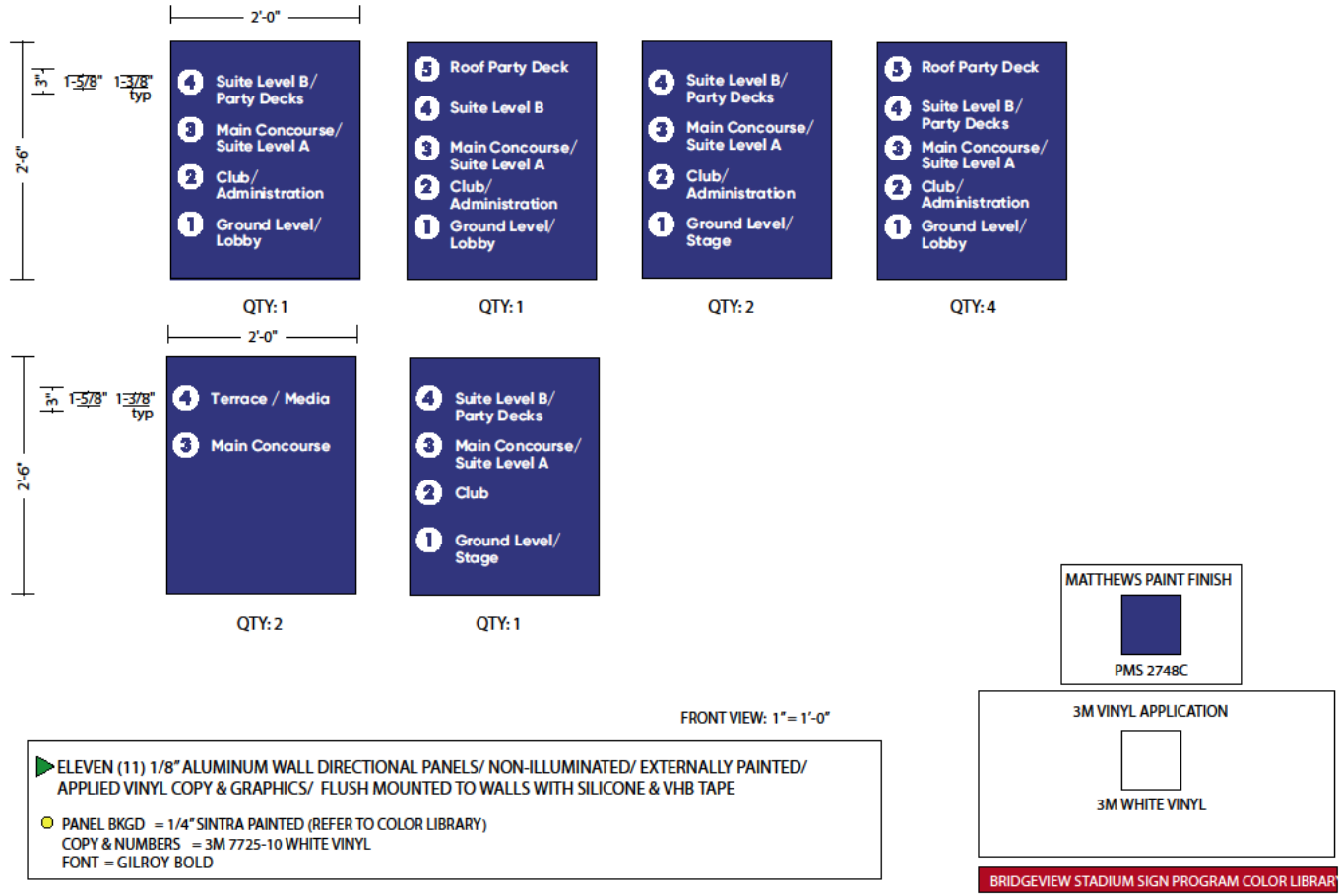


- ▶ EIGHT (8) FOUR-SIDED PARKING LOT IDENTIFICATION SIGNS;
- ▶ .125 ALUMINUM PANELS EXTERNALLY PAINTED ON BOTH SIDES/  
WITH EXT. APPLIED VINYL I.D. NUMBERS/ WITH .125 ALUMINUM TOP & BOTTOM PLATES/  
MOUNTED TO 6" DIAMETER STEEL SUPPORT/ WITH CONCRETE BASE
- PANELS = .125 ALUMINUM PAINTED (REFER TO COLOR LIBRARY BELOW)  
I.D. NUMBERS = 3M VINYL 7725-10 WHITE  
FONT = GILROY BOLD

BRIDGEVIEW STADIUM SIGN PROGRAM COLOR LIBRARY				
				
PMS 1205	PMS 186	PMS 202	PMS 278	PMS 2748C

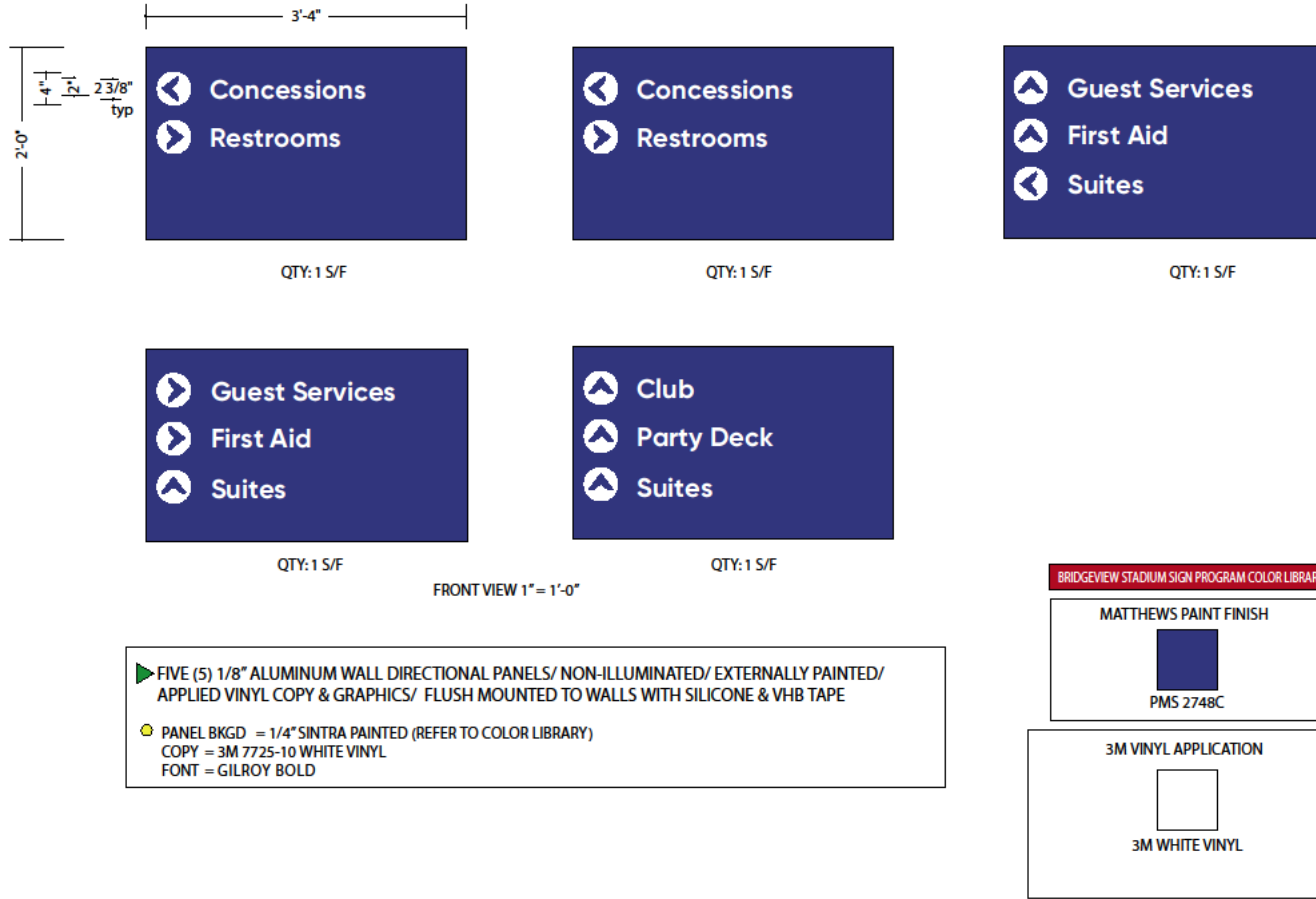
# SIGNAGE OVERVIEW AND INITIAL SPECIFICATIONS

(An alternative color maybe be used-different shade of blue)



# SIGNAGE OVERVIEW AND INITIAL SPECIFICATIONS

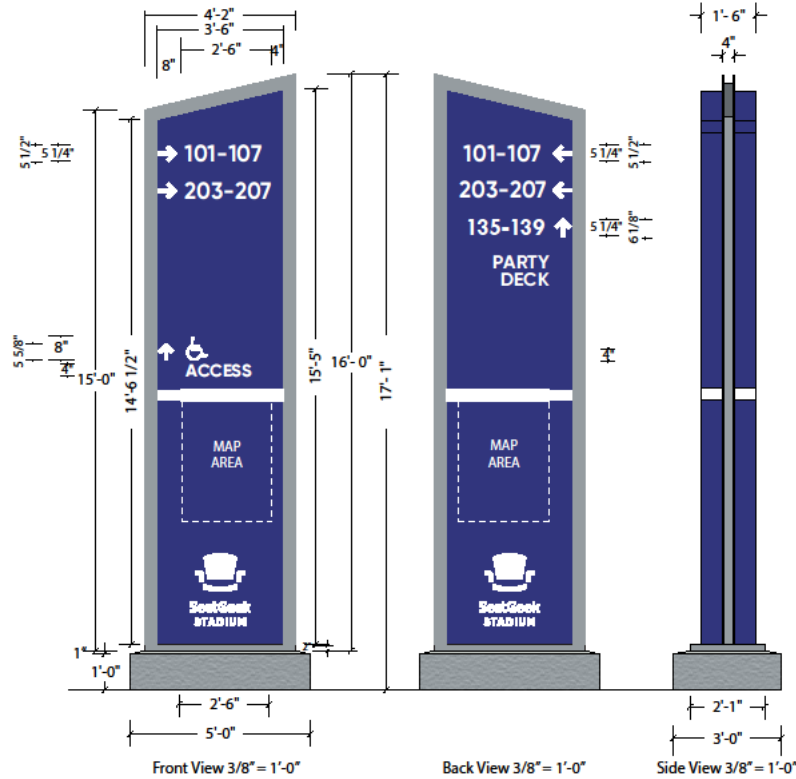
(An alternative color maybe be used-different shade of blue)





# SIGNAGE OVERVIEW AND INITIAL SPECIFICATIONS

## (An alternative color maybe be used-different shade of blue)



SEVEN (7) DOUBLE FACE PEDESTRIAN DIRECTIONAL/ INFORMATION SIGNS ; \*\*SO-6789-B3-4 Thru B3-6 FOR THE OTHER 6 D/F SIGNS

NON-ILLUMINATED FABRICATED ALUMINUM SIGN CASE/ EXTERNALLY PAINTED/

SURFACE APPLIED VINYL COPY & ARROWS

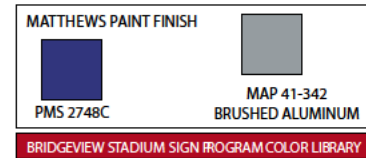
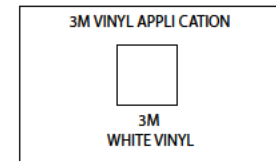
4" X 4" SQUARE ALUMINUM FRAME SUPPORT/ EXT. PAINTED

12" CONCRETE BASE / FOUNDATION BY LANDMARK

● COLOR SPECS AS INDICATED IN PROGRAM COLOR LIBRARY

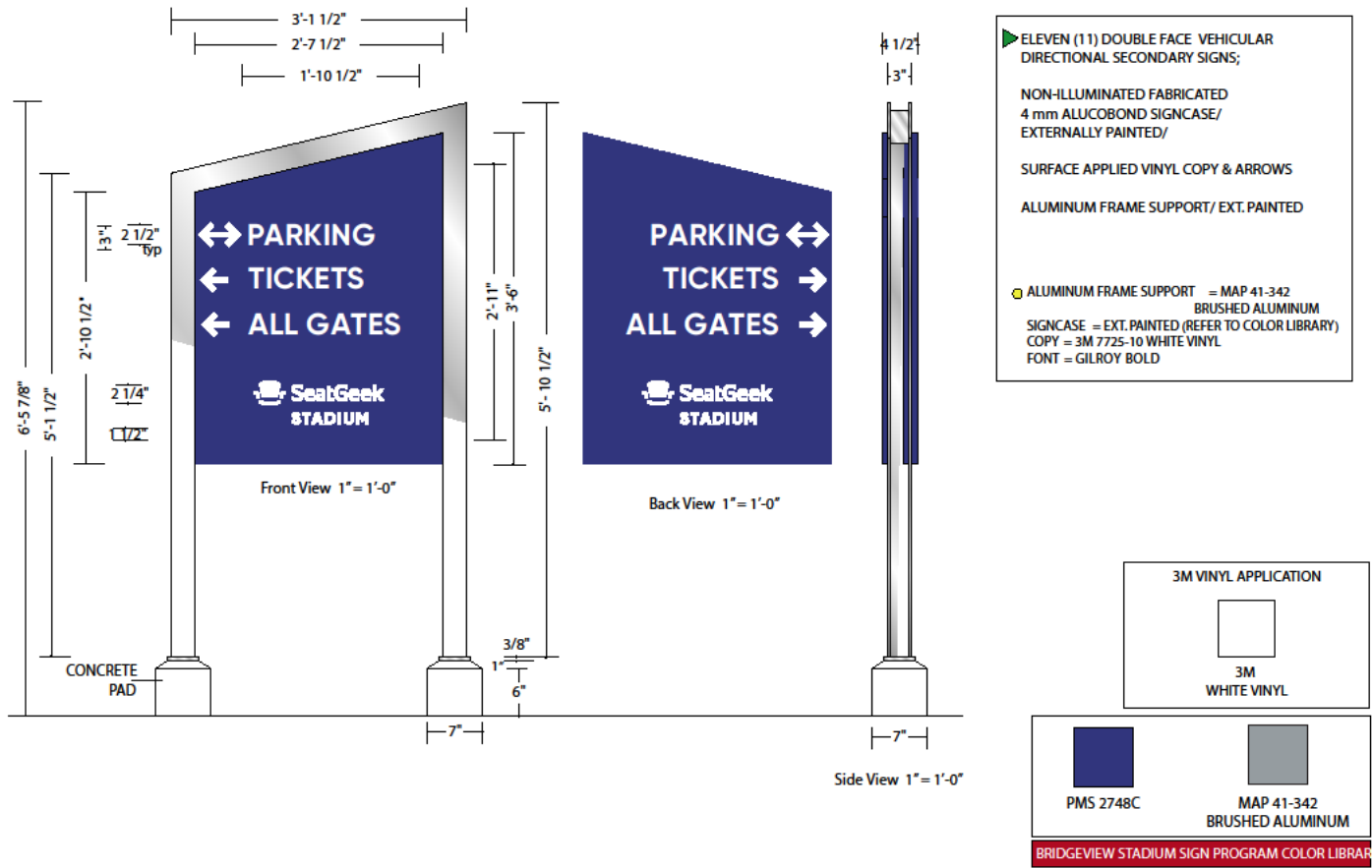
● FONT = GILROY BOLD

	Approved	Completed
Fabrication		
Colors		
Copy		
Installation		



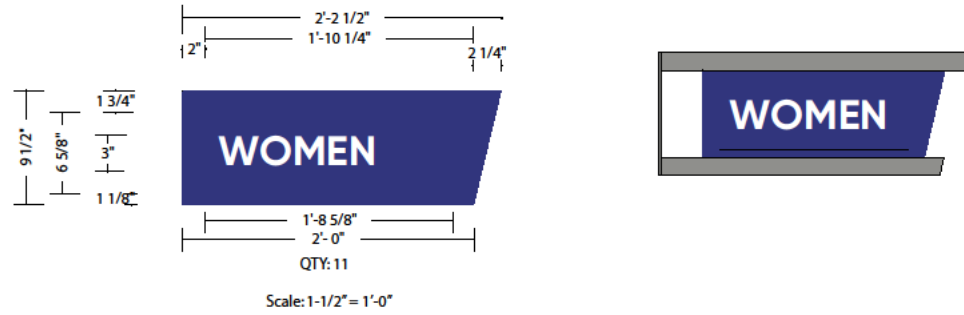
# SIGNAGE OVERVIEW AND INITIAL SPECIFICATIONS

(An alternative color maybe be used-different shade of blue)



# SIGNAGE OVERVIEW AND INITIAL SPECIFICATIONS

(An alternative color maybe be used-different shade of blue)



QTY:11



QTY:2



QTY:3



QTY:4




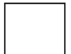
QTY:1



QTY:1

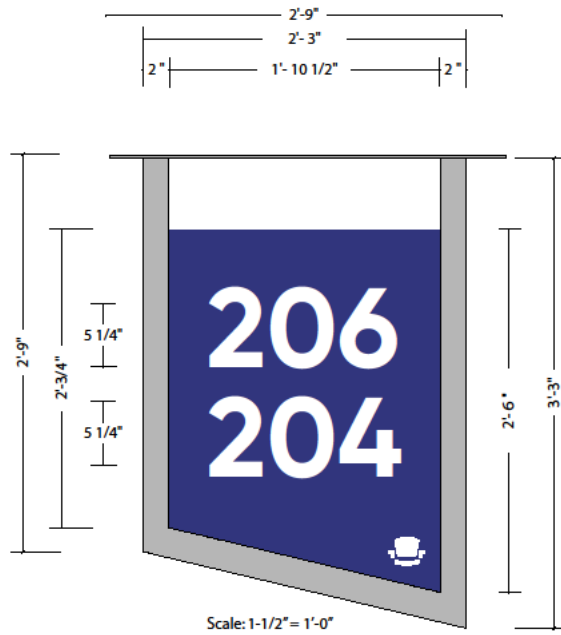
▶ THIRTY THREE (33) DOUBLE SIDED SIGNS/ NON-ILLUMINATED/ FABRICATED ALUMINUM / EXTERNALLY PAINTED/ WITH VINYL COPY/ ALUMINUM EXTRUSION FRAME/ FLAG MOUNTED FROM WALLS

● ALUMINUM FRAME & MOUNTING PLATE = MAP 41-342 BRUSHED ALUMINUM  
 PANEL BKGD = .080 ALUMINUM PAINTED (REFER TO COLOR LIBRARY)  
 COPY = 3M 7725-10 WHITE VINYL  
 FONT = GILROY BOLD

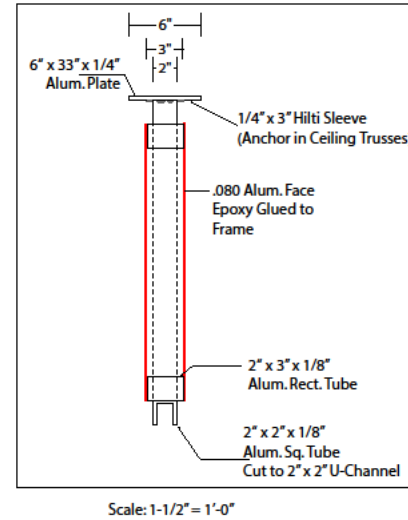
BRIDGEVIEW STADIUM SIGN PROGRAM COLOR LIBRARY	
<p>MATTHEWS PAINT FINISH</p>  <p>PMS 2748C</p>	<p>3M VINYL APPLICATION</p>  <p>3M WHITE VINYL</p>

# SIGNAGE OVERVIEW AND INITIAL SPECIFICATIONS

(An alternative color maybe be used-different shade of blue)



ADD SEATGEEK LOGO;  
EXTERNALLY APPLIED WHITE VINYL

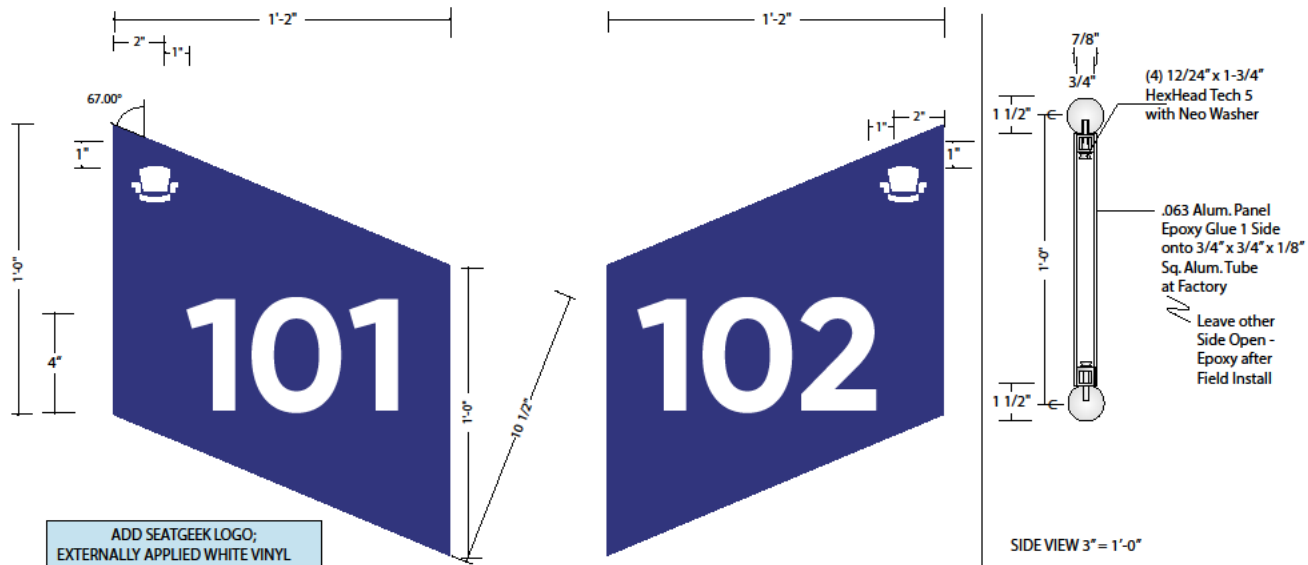


- ▶ FOUR (4) DOUBLE SIDED SECTION OVERHEAD SIGNS/ NON-ILLUMINATED/ FABRICATED ALUMINUM / EXTERNALLY PAINTED/ WITH VINYL COPY/ ALUMINUM EXTRUSION FRAME/ MOUNTED FROM CEILING TRUSSES
- ALUMINUM FRAME & MOUNTING PLATE = MAP 41-342 BRUSHED ALUMINUM  
 PANEL BKGD = ALUMINUM PAINTED (REFER TO COLOR LIBRARY)  
 COPY = 3M 7725-10 WHITE VINYL  
 FONT = GILROY BOLD

BRIDGEVIEW STADIUM SIGN PRODUCTION	
<p style="text-align: center; font-weight: bold; font-size: small;">MATTHEWS PAINT FINISH</p> <div style="text-align: center; margin: 5px 0;"> </div> <p style="text-align: center; font-size: x-small;">PMS 2748C</p>	<p style="text-align: center; font-weight: bold; font-size: small;">3M VINYL APPLICATION</p> <div style="text-align: center; margin: 5px 0;"> </div> <p style="text-align: center; font-size: x-small;">3M WHITE VINYL</p>

# SIGNAGE OVERVIEW AND INITIAL SPECIFICATIONS

(An alternative color maybe be used-different shade of blue)



ADD SEATGEEK LOGO;  
EXTERNALLY APPLIED WHITE VINYL

RIGHT SIDE  
3" = 1'-0"

LEFT SIDE  
3" = 1'-0"

SIDES ARE DETERMINED WHEN LOOKING DOWN AT THE FIELD

MATTHEWS PAINT FINISH

PMS 2748C

3M VINYL APPLICATION

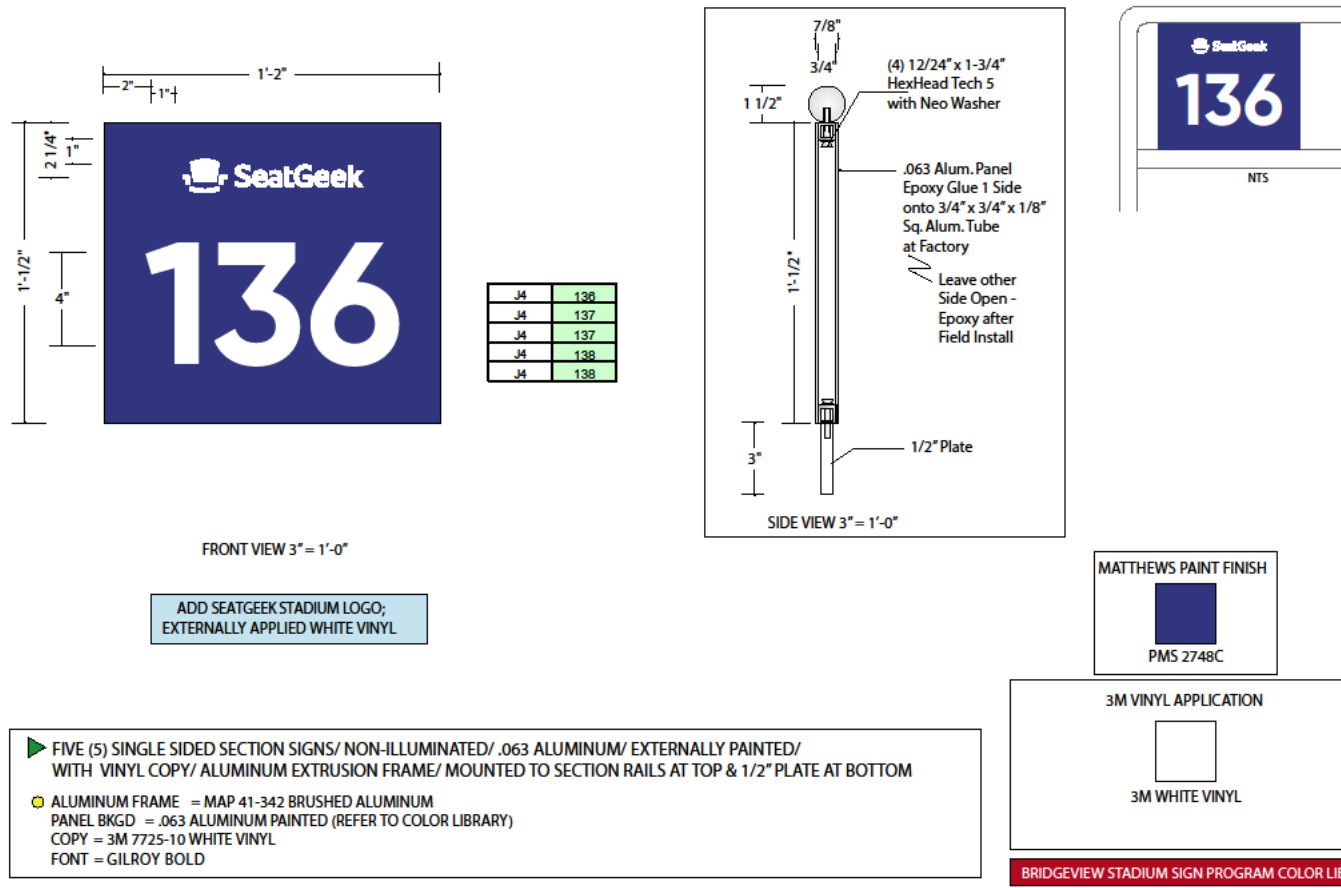
3M WHITE VINYL

BRIDGEVIEW STADIUM SIGN PROGRAM COLOR LIBRAR

- ▶ THIRTY THREE (33) DOUBLE SIDED SECTION SIGNS/ NON-ILLUMINATED/ .063 ALUMINUM/ EXTERNALLY PAINTED/ WITH VINYL COPY/ ALUMINUM EXTRUSION FRAME/ MOUNTED TO RAILS
- ALUMINUM FRAME = MAP 41-342 BRUSHED ALUMINUM  
 PANEL BKGD = .063 ALUMINUM PAINTED (REFER TO COLOR LIBRARY)  
 COPY = 3M 7725-10 WHITE VINYL  
 FONT = GILROY BOLD

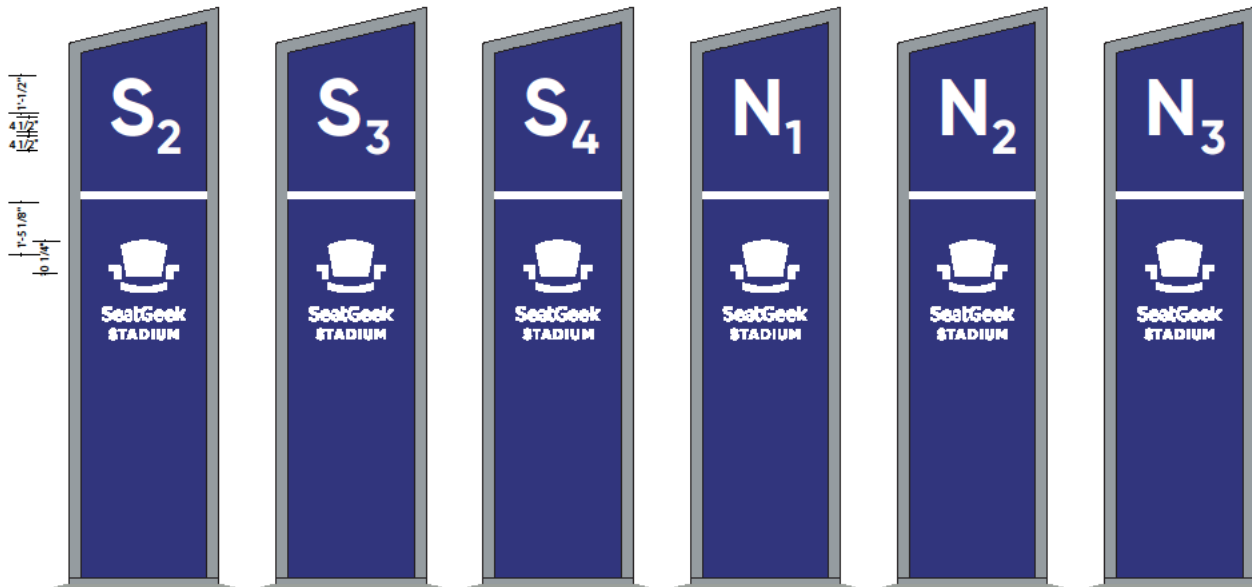
# SIGNAGE OVERVIEW AND INITIAL SPECIFICATIONS

(An alternative color maybe be used-different shade of blue)



# SIGNAGE OVERVIEW AND INITIAL SPECIFICATIONS

(An alternative color maybe be used-different shade of blue)



SIGN TYPE - A2  
SIGN # 3/8  
QTY: 1 D/F

SIGN TYPE - A2  
SIGN # 4/8  
QTY: 1 D/F

SIGN TYPE - A2  
SIGN # 5/8  
QTY: 1 D/F

SIGN TYPE - A2  
SIGN # 6/8  
QTY: 1 D/F

SIGN TYPE - A2  
SIGN # 7/8  
QTY: 1 D/F

SIGN TYPE - A2  
SIGN # 8/8  
QTY: 1 D/F

Front View 3/8" = 1'-0"

