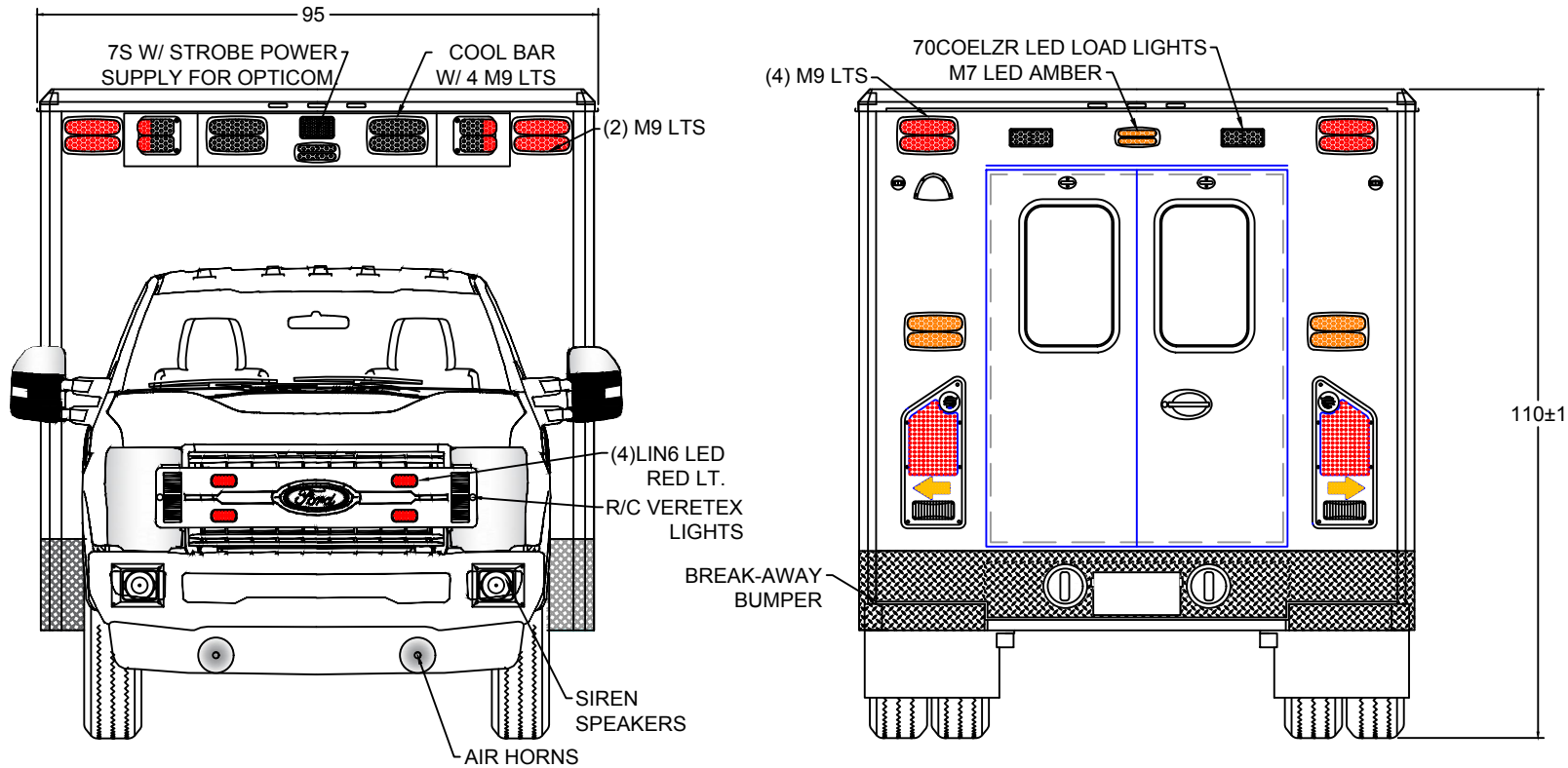


# Bridgeview Fire Department

170 x 95 x 72



EXTERIOR COMPARTMENT DIMENSIONS IN INCHES

INTERIOR DIMENSIONS				PASS THRU		INTERIOR DIMENSIONS				JAMB OPENING	
COMPT.	HEIGHT	WIDTH	DEPTH	HEIGHT	WIDTH	COMPT.	HEIGHT	WIDTH	DEPTH	HEIGHT	WIDTH

TYPE 1 FORD 2018  
FRONT / REAR  
EXTERIOR VIEWS

BE ADVISED THAT THESE ARE PRELIMINARY LAYOUTS INTENDED TO ILLUSTRATE DESIGN INTENT AND DIMENSIONS ARE FOR REFERENCE ONLY PRIOR TO FINAL ENGINEERING

DATE: 8/22/18

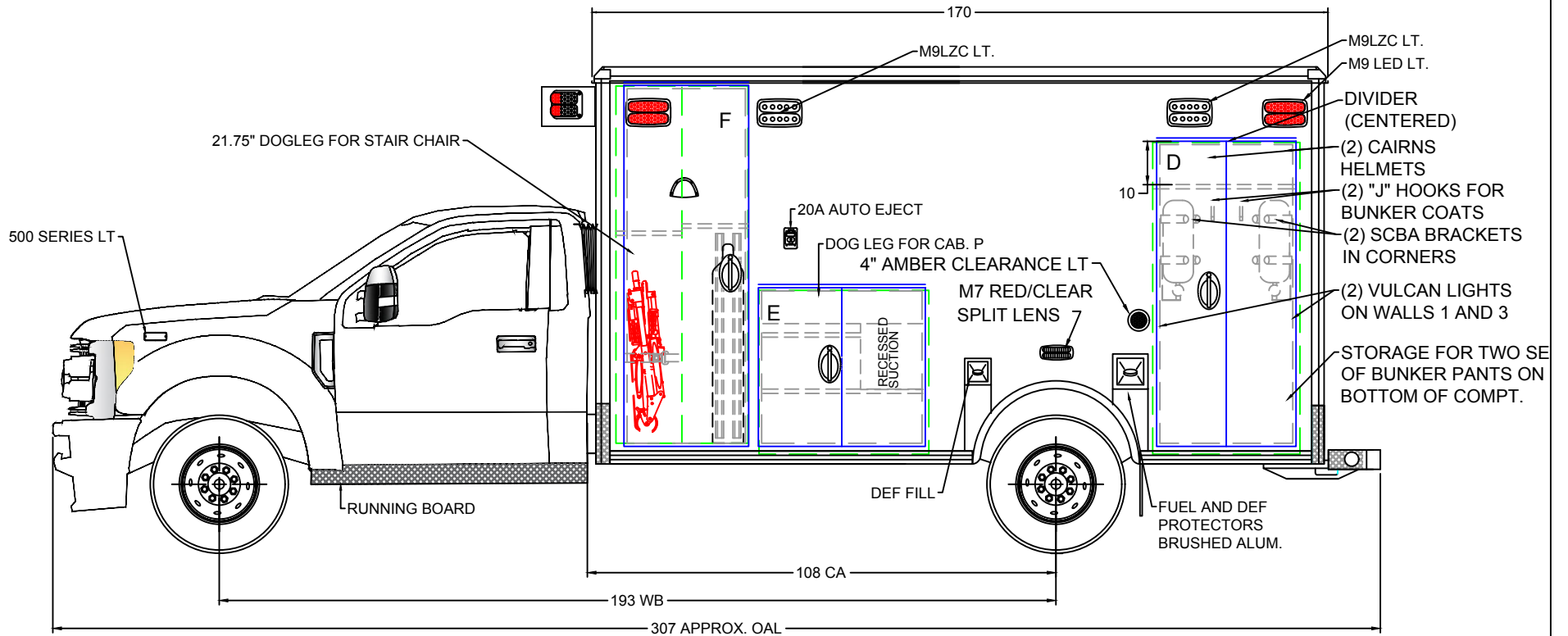
SCALE

DWN BY CJ

DWG NO

# Bridgeview Fire Department

170 x 95 x 72



BE ADVISED THAT THESE ARE PRELIMINARY LAYOUTS INTENDED TO ILLUSTRATE DESIGN INTENT AND DIMENSIONS ARE FOR REFERENCE ONLY PRIOR TO FINAL ENGINEERING

## EXTERIOR COMPARTMENT DIMENSIONS IN INCHES

INTERIOR DIMENSIONS				JAMB OPENING		INTERIOR DIMENSIONS				JAMB OPENING	
COMPT.	HEIGHT	WIDTH	DEPTH	HEIGHT	WIDTH	COMPT.	HEIGHT	WIDTH	DEPTH	HEIGHT	WIDTH
D	73.75	34.00	17.00	70.50	30.50						
E	39.50	39.25	17.00	36.25	37.00						
F	82.50	28.25	17.00	81.75	27.25						

TYPE 1 FORD 2018

LEFT EXT. VIEW

DATE 8/22/18

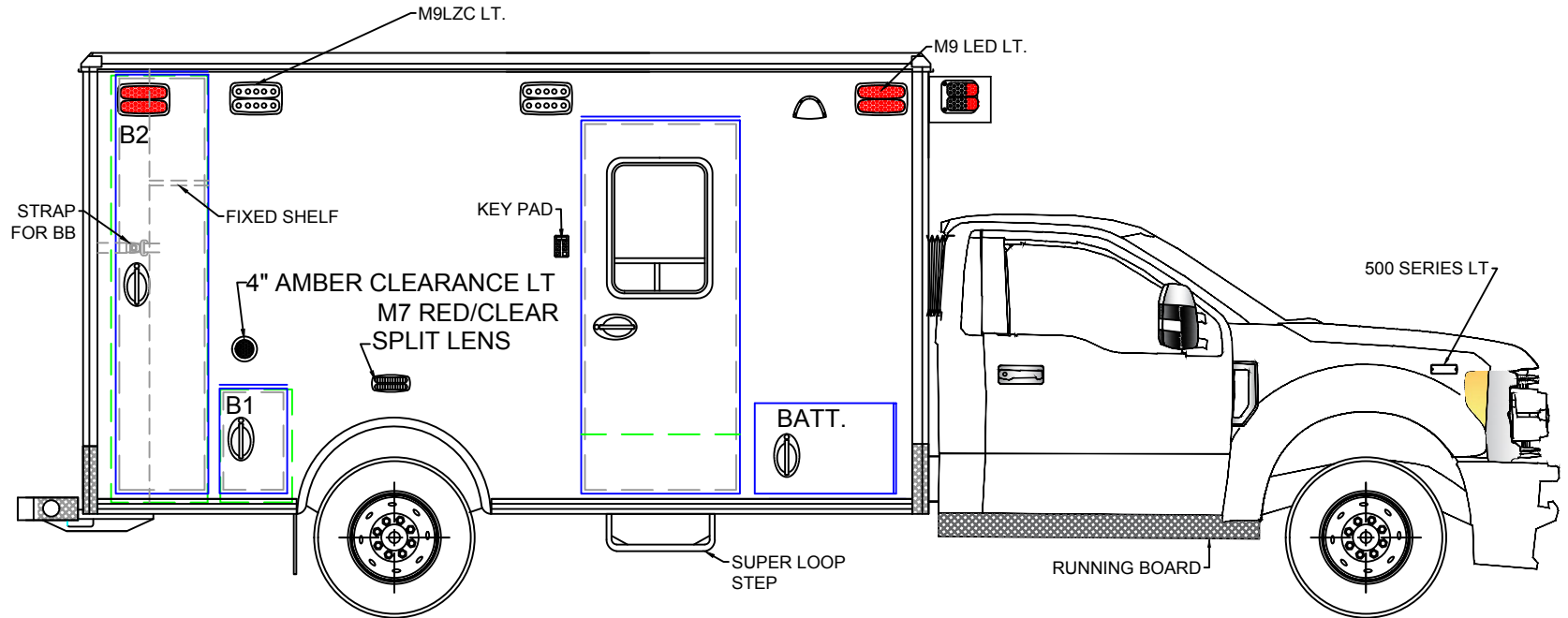
SCALE

DRAWN BY CJ

DWG NO

# Bridgeview Fire Department

170 x 95 x 72

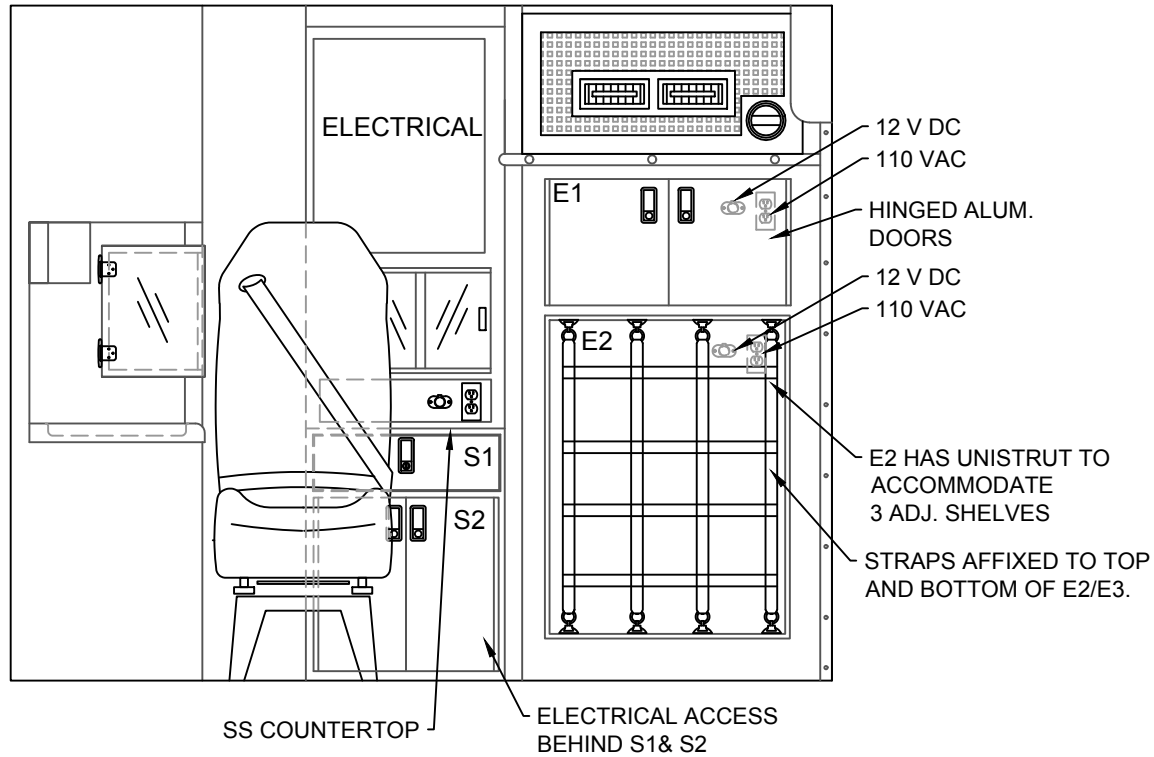


BE ADVISED THAT THESE ARE PRELIMINARY LAYOUTS INTENDED TO ILLUSTRATE DESIGN INTENT AND DIMENSIONS ARE FOR REFERENCE ONLY PRIOR TO FINAL ENGINEERING

EXTERIOR COMPARTMENT DIMENSIONS IN INCHES												TYPE 1 FORD 2018 RIGHT EXT. VIEW			
INTERIOR DIMENSIONS				JAMB OPENING		INTERIOR DIMENSIONS				JAMB OPENING				DATE	SCALE
COMPT.	HEIGHT	WIDTH	DEPTH	HEIGHT	WIDTH	COMPT.	HEIGHT	WIDTH	DEPTH	HEIGHT	WIDTH				
LOWER-A	15.50	29.25	19.00									8/22/18			
B1	22.25	14.25	17.00	19.25	12.00										
B2	85.00	19.00	18.50	81.75	17.00										
												DRAWN BY	CJ	DWG NO	

# Bridgeview Fire Department

170 x 95 x 72

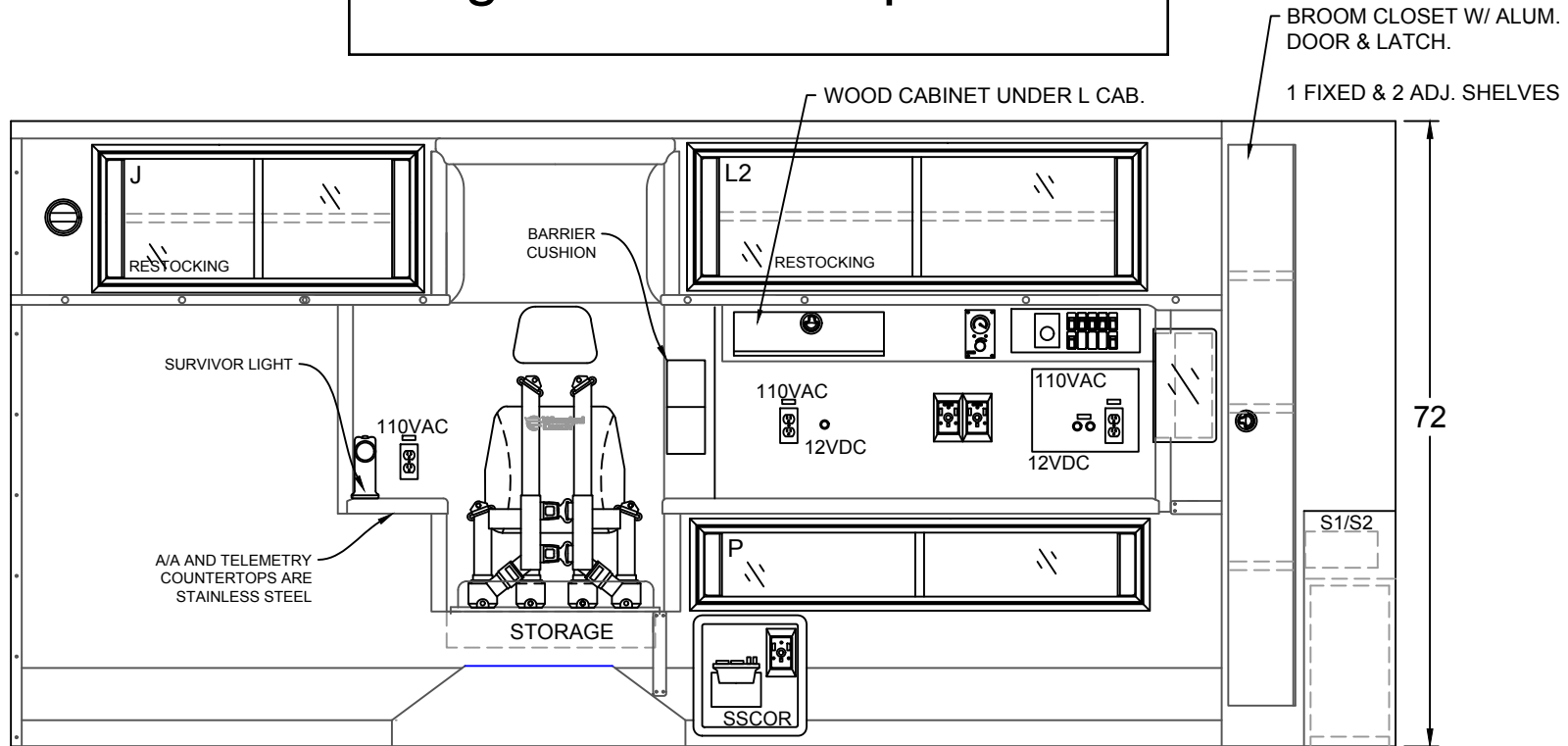


BE ADVISED THAT THESE ARE PRELIMINARY LAYOUTS INTENDED TO ILLUSTRATE DESIGN INTENT AND DIMENSIONS ARE FOR REFERENCE ONLY PRIOR TO FINAL ENGINEERING

<b>CABINET WEIGHT RATINGS:</b> NON-RESTOCKING = 40 LBS. RESTOCKING = 30 LBS.	INTERIOR CABINET DIMENSIONS IN INCHES								TYPE 1 FORD 2018 BULKHEAD INTERIOR	
	CABINET	HEIGHT	WIDTH	DEPTH	CABINET	HEIGHT	WIDTH	DEPTH		
	E1	13.50	33.50	22.25						
	E2	35.25	33.50	22.25						
	S1	5.00	19.25	8.75						
S2	18.00	22.00	9.75							
									DATE 8/22/18	SCALE
									DRAWN BY CJ	DWG NO

# Bridgeview Fire Department

170 x 95 x 72



INTERIOR CABINET DIMENSIONS IN INCHES

CABINET	HEIGHT	WIDTH	DEPTH	CABINET	HEIGHT	WIDTH	DEPTH
J	20.25	36.00	17.25	CPR	4.25	21.25	17.25
L2	20.25	53.00	15.25	p	10.00	49.00	8.00

**CABINET WEIGHT RATINGS:**  
 NON-RESTOCKING = 40 LBS.  
 RESTOCKING = 30 LBS.

BE ADVISED THAT THESE ARE PRELIMINARY LAYOUTS INTENDED TO ILLUSTRATE DESIGN INTENT AND DIMENSIONS ARE FOR REFERENCE ONLY PRIOR TO FINAL ENGINEERING



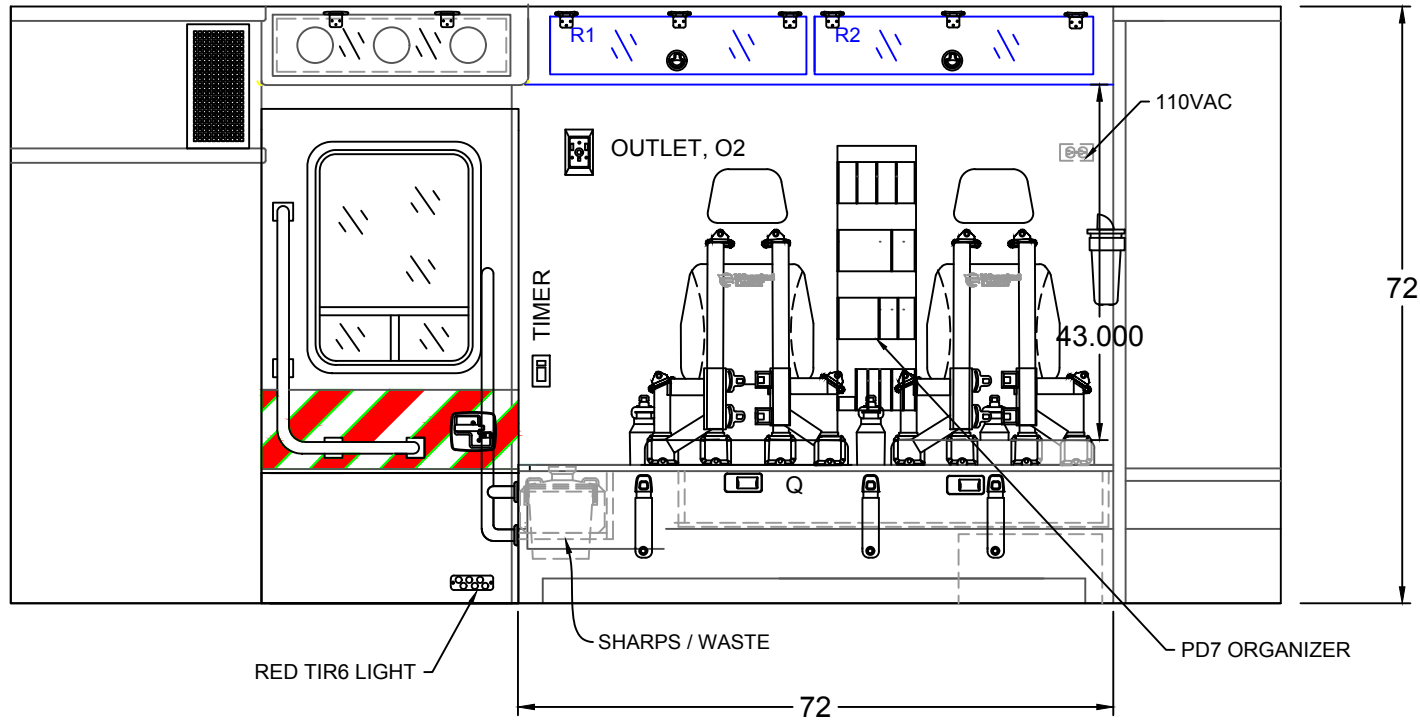
TYPE 1 FORD 2018

LEFT INTERIOR

DATE: 8/22/18 SCALE:  
 DWN BY: CJ DWG NO:

# Bridgeview Fire Department

170 x 95 x 72



## INTERIOR CABINET DIMENSIONS IN INCHES

COMPT.	HEIGHT	WIDTH	DEPTH		COMPT.	HEIGHT	WIDTH	DEPTH	
R1/R2	6.00	23.00	8.00						
Q	6.00	50.00	16.75						

TYPE 1 FORD 2018  
RIGHT INTERIOR

DATE: 8/22/18

SCALE

DRAWN BY: CJ

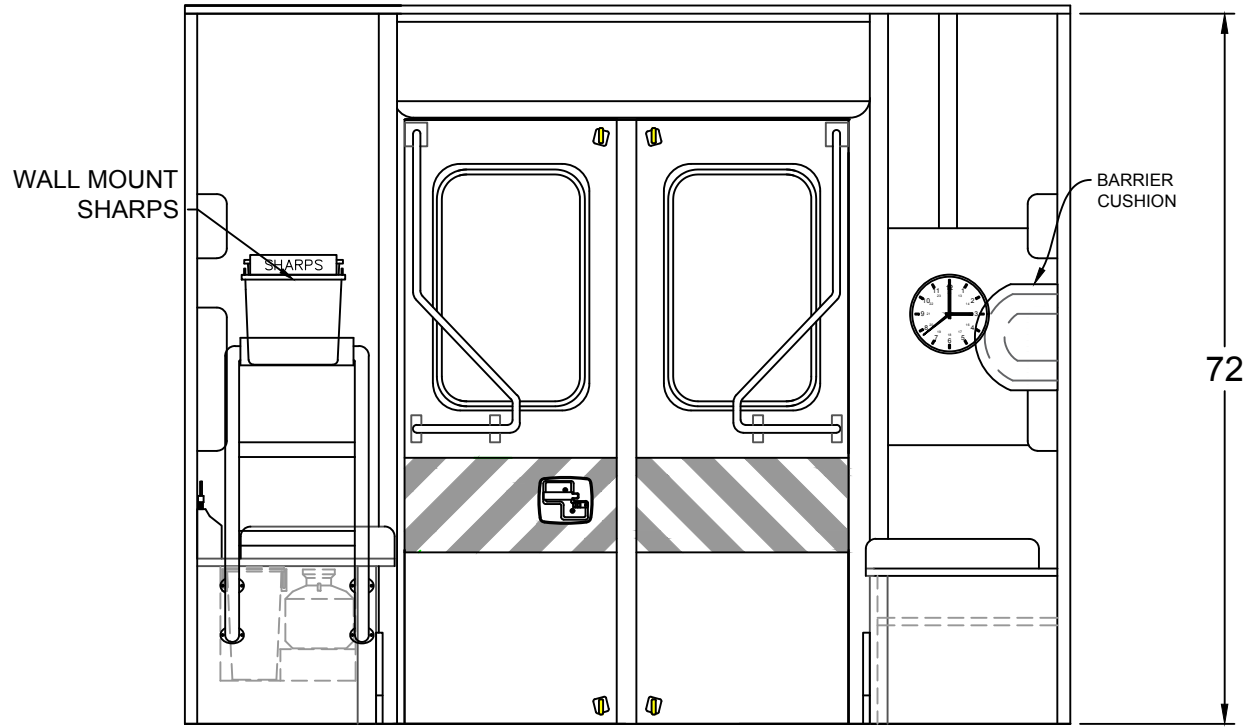
DWG NO

CABINET WEIGHT RATINGS:  
NON-RESTOCKING = 40 LBS.  
RESTOCKING = 30 LBS.

BE ADVISED THAT THESE ARE PRELIMINARY LAYOUTS INTENDED TO ILLUSTRATE DESIGN INTENT AND DIMENSIONS ARE FOR REFERENCE ONLY PRIOR TO FINAL ENGINEERING

# Bridgeview Fire Department

170 x 95 x 72



INTERIOR CABINET DIMENSIONS IN INCHES

COMPT.	HEIGHT	WIDTH	DEPTH		COMPT.	HEIGHT	WIDTH	DEPTH	

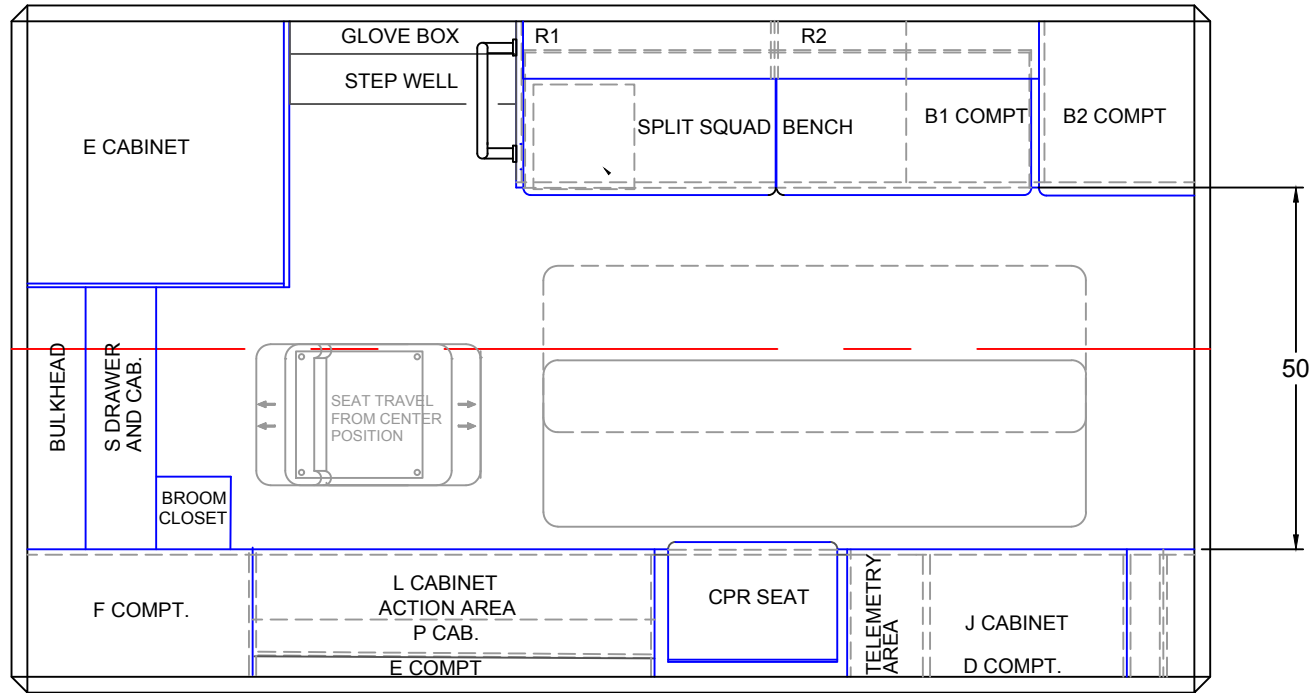
TYPE 1 FORD 2018  
 REAR BULKHEAD INTERIOR  
 DATE: 8/22/18  
 SCALE  
 DRAWN BY: CJ  
 DWG NO.

CABINET WEIGHT RATINGS:  
 NON-RESTOCKING = 40 LBS.  
 RESTOCKING = 30 LBS.

BE ADVISED THAT THESE ARE PRELIMINARY LAYOUTS INTENDED TO ILLUSTRATE DESIGN INTENT AND DIMENSIONS ARE FOR REFERENCE ONLY PRIOR TO FINAL ENGINEERING

# Bridgeview Fire Department

170 x 95 x 72



BE ADVISED THAT THESE ARE PRELIMINARY LAYOUTS INTENDED TO ILLUSTRATE DESIGN INTENT AND DIMENSIONS ARE FOR REFERENCE ONLY PRIOR TO FINAL ENGINEERING

## INTERIOR CABINET DIMENSIONS IN INCHES

CABINET	HEIGHT	WIDTH	DEPTH	CABINET	HEIGHT	WIDTH	DEPTH

TYPE 1 FORD 2018  
FLOOR PLAN

DATE: 8/22/18

SCALE

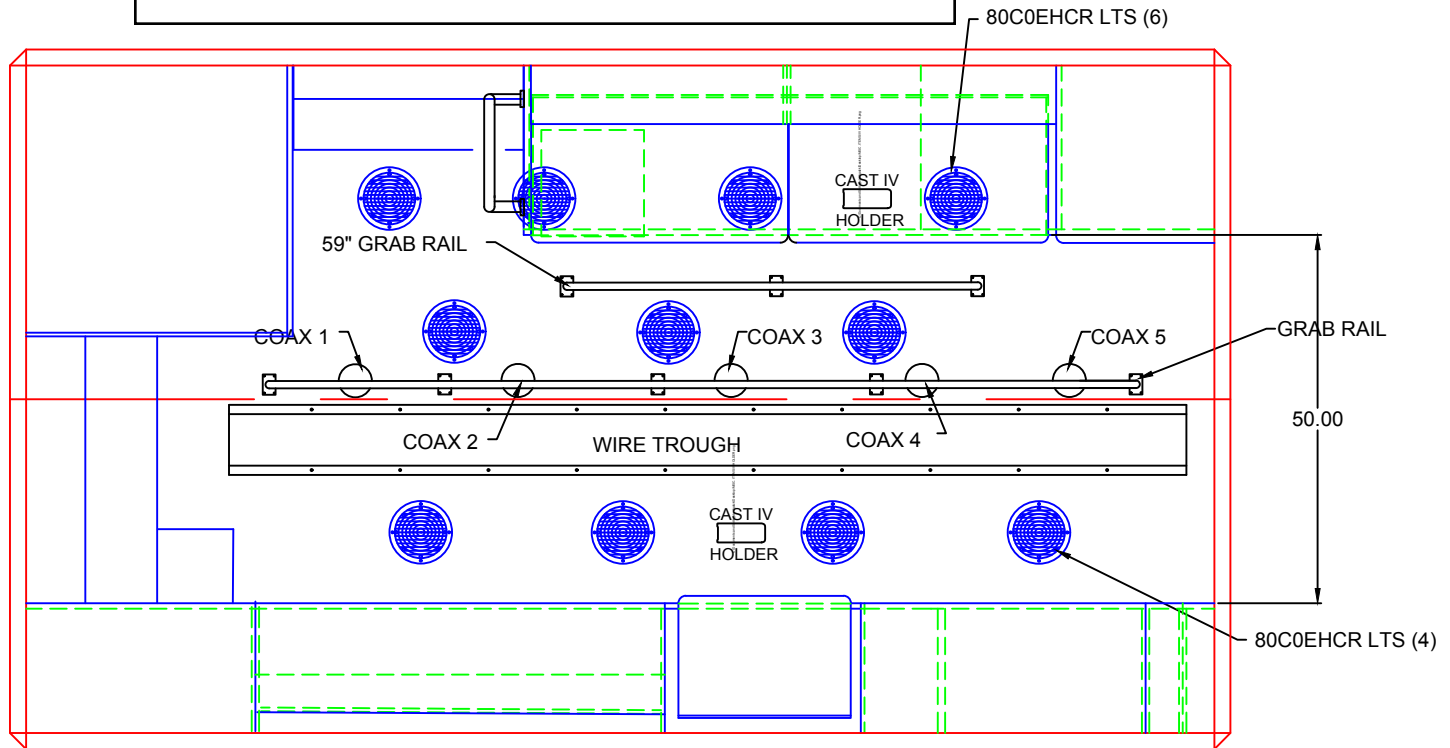
DWN BY: CJ

DWG NO



# Bridgeview Fire Department

170 x 95 x 72



BE ADVISED THAT THESE ARE PRELIMINARY LAYOUTS INTENDED TO ILLUSTRATE DESIGN INTENT AND DIMENSIONS ARE FOR REFERENCE ONLY PRIOR TO FINAL ENGINEERING

## INTERIOR CABINET DIMENSIONS IN INCHES

CABINET	HEIGHT	WIDTH	DEPTH	CABINET	HEIGHT	WIDTH	DEPTH

TYPE 1 FORD 2018  
LINER

DATE: 8/22/18

SCALE

DWN BY: CJ

DWG NO